

# Cartridge Filters

**CH**

## Cartridge Housing



Schroeder PURE has depth filtration cartridges for fine filtration and the housings to fit. Standard cartridges are available in 10, 20, 30 and 40 inch lengths. These melt-blown filters come in either a 2.5" or 4.5" diameter. Depth filter cartridges have larger openings towards the outside of the element and smaller openings near the center. This allows for higher dirt holding capacity to lengthen the life of the element.

Most common are the elements with a double open end (DOE). Cartridges with either a 222 o-ring seal or a FIN style are also available. The range of filtration on these elements is from 1 micron up to 75 microns. All of our elements are made from 100% pure polypropylene fibers to ensure high quality. Elements with center tubes for support are also available.

The housings for these elements are available with either a 100% polypropylene head and bowl or in electro-polished stainless steel.

The polypropylene housings accept either the 10" or 20" elements for both 2.5" and 4.5" diameter. The threaded head and bowl allow for quick and easy changing of the elements. Various sizes of NPT ports make installation quick and easy and allow flows up to 25 gpm or 40 gpm depending upon the housing size. Because the housings are 100% polypropylene, they are tough and durable. The 2.5" housings are rated up to 125 psi (8.6 bar) at 125°F (51.7°C) while the 4.5" housings are rated for 100 psi (6.9 bar) at 100°F (37.8°C).

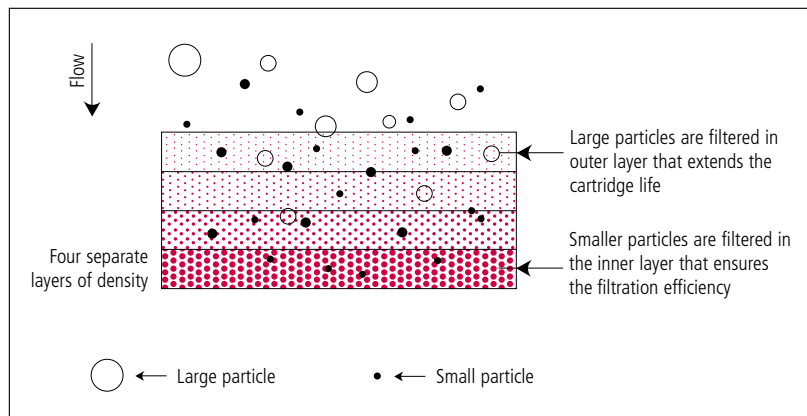
Stainless steel housings are used for higher flow rates and pressure up to 150 psi (10.3 bar) at 200°F (93.3°C). These larger housings hold seven elements in a circular array in all four standard lengths. The quick release clamp on the lid allows for easy changing of the elements while providing a tight seal. Each one comes standard with a gauge port in the lid and 2" male NPT fittings. DOE and 222 style cartridges are accepted by these housings.

Both types of housing are durable, built to last in harsh conditions and have low clean pressure drops.

## Features



- 100% polypropylene construction
- Max operating temperature 145°F (62.8°C)
- Max pressure drop 46 psi (3.2 bar) @ 68°F (20°C)
- Recommended cartridge replacement at 22 psi (1.5 bar)
- Special lengths and micron ratings available upon request
- 222 o-ring seal, FIN style end caps and center support tubes available upon request



## Industries Served



CHEMICAL PROCESSING



INDUSTRIAL



THERMAL TRANSFER



POWER GENERATION



PAPER INDUSTRY



STEEL MAKING



SEWAGE AND WASTE WATER TREATMENT

# Cartridge Filters

How to Build a Valid Model Number for a Schroeder DCE:

BOX 1    BOX 2    BOX 3    BOX 4  
 DCE -  -  -

Example: NOTE: One option per box

BOX 1    BOX 2    BOX 3    BOX 4  
 DCE - 2 - 10 - 25 = DCE21025

BOX 1	BOX 2	BOX 3	BOX 4
<b>Filter Series</b>	<b>Element Size</b>	<b>Element Length</b>	<b>Micron Rating</b>
DCE	2 = 2.5" OD 4 = 4.5" OD	5 = 4-7/8" (2.5" OD only) 10 = 9-7/8" 20 = 20" 30 = 30" (2.5" OD only) 40 = 40" (2.5" OD only)	01 = 1 μ 05 = 5 μ 10 = 10 μ 20 = 20 μ 25 = 25 μ 50 = 50 μ 75 = 75 μ

Filter Model Number Selection

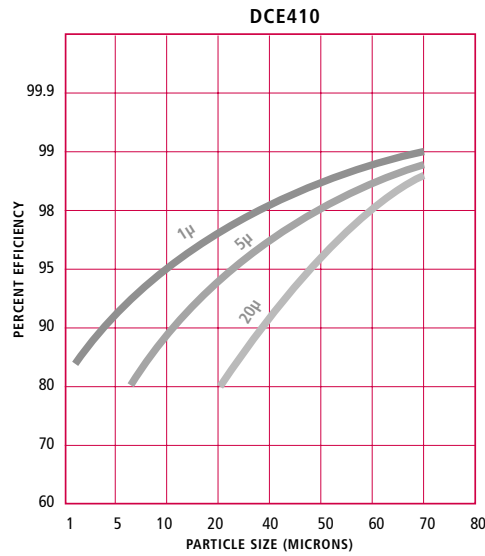
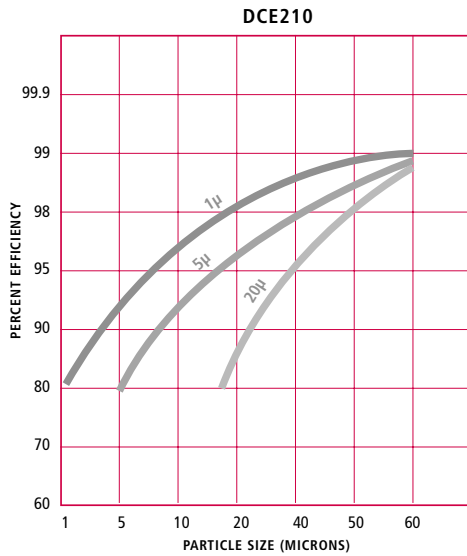
DCE

CH1

CH7

RMF

Filter and Media are sold separately.

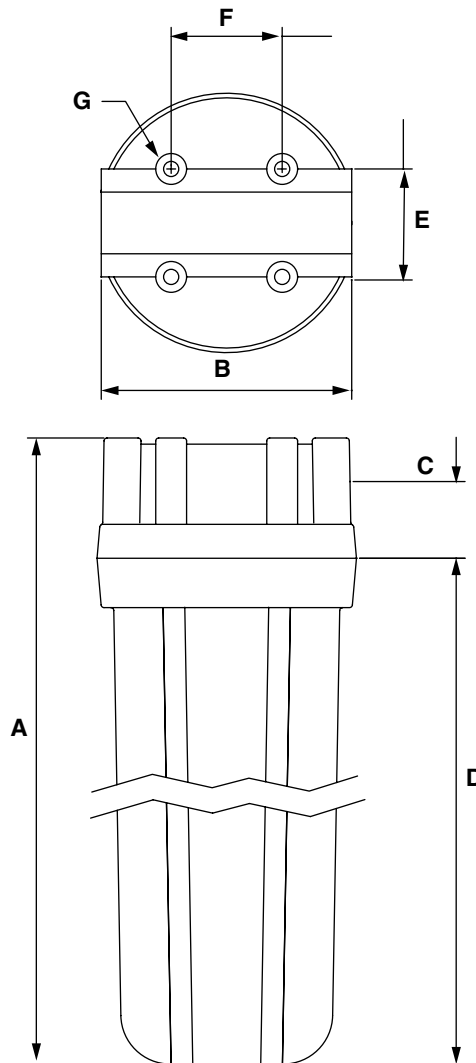


Filter Data

# Cartridge Filters

## CH1

### Cartridge Housing



NOTE:  
Drawings may change without notice. Contact Factory for certified drawings.

### Dimensions

	A inch (mm)	B inch (mm)	C inch (mm)	D inch (mm)	E inch (mm)	F inch (mm)	G inch (mm)
CH1210	12.25 (311)	5.00 (127)	0.56 (14)	10.25 (260)	2.31 (59)	2.19 (56)	0.19 (5)
CH1220	22.50 (572)	5.00 (127)	0.56 (14)	20.25 (514)	2.31 (59)	2.19 (56)	0.19 (5)
CH1230	13.50 (343)	7.25 (184)	1.88 (48)	9.56 (243)	2.31 (59)	2.19 (56)	0.19 (5)
CH1240	23.88 (607)	7.25 (184)	1.88 (48)	19.56 (497)	2.31 (59)	2.19 (56)	0.19 (5)

### Specifications

	CH12	CH14
Max. Flow Rate:	25 gpm (95 L/min)	40 gpm (150 L/min)
Max. Working Pressure:	125 psi (8.6 bar)	100 psi (6.9 bar)
Max. Temperature:	125°F (52°C)	100°F (38°C)
Housing Material:	Polypropylene	Polypropylene
O-Ring Material:	Buna N	Buna N
Initial Pressure Drop:	1 psi @ 10 gpm	1 psi @ 30 gpm
Type of Element Accepted:	DOE	DOE

# Cartridge Filters

## How to Build a Valid Model Number for a Schroeder Single Cartridge PP Housing 2.5":

BOX 1	BOX 2	BOX 3	BOX 4	BOX 5	BOX 6	BOX 7	BOX 8	BOX 9
CH								

**Example:** NOTE: One option per box

BOX 1	BOX 2	BOX 3	BOX 4	BOX 5	BOX 6	BOX 7	BOX 8	BOX 9
CH	1	2	10	PP	34	B	0	0

= CH1210PP34B00

<b>BOX 1</b> Filter Series CH	<b>BOX 2</b> No. of Cartridges per Housing 1	<b>BOX 3</b> Cartridge Diameter 2 = 2.5" diameter	<b>BOX 4</b> Cartridge Length 10 = 10" 20 = 20"	<b>BOX 5</b> Housing Material PP = Polypropylene head and bowl
<b>BOX 6</b> Connection Size 34 = 3/4" NPT	<b>BOX 7</b> Seal Material B = Buna N	<b>BOX 8</b> Pressure Rating 0 = 125 psi	<b>BOX 9</b> Pressure Relief Button 0 = No PR Button P = PR Button in Cap	

Filter Model Number Selection

DCE

CH1

CH7

RMF

## How to Build a Valid Model Number for a Schroeder Single Cartridge PP Housing 4.5":

BOX 1	BOX 2	BOX 3	BOX 4	BOX 5	BOX 6	BOX 7	BOX 8	BOX 9
CH								

**Example:** NOTE: One option per box

BOX 1	BOX 2	BOX 3	BOX 4	BOX 5	BOX 6	BOX 7	BOX 8	BOX 9
CH	1	4	10	PP	34	B	0	0

= CH1410PP34B00

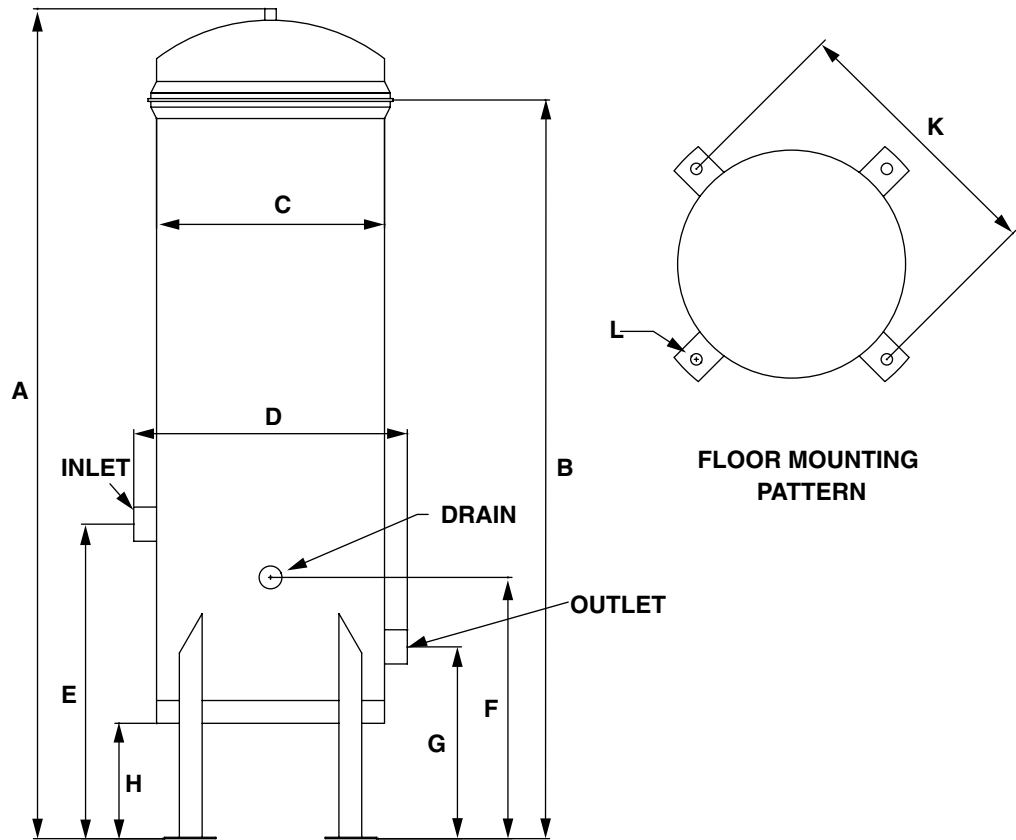
<b>BOX 1</b> Filter Series CH	<b>BOX 2</b> No. of Cartridges per Housing 1	<b>BOX 3</b> Cartridge Diameter 4 = 4.5" diameter	<b>BOX 4</b> Cartridge Length 10 = 10" 20 = 20"	<b>BOX 5</b> Housing Material PP = Polypropylene head and bowl
<b>BOX 6</b> Connection Size 34 = 3/4" NPT 1N = 1" NPT 15 = .5" NPT	<b>BOX 7</b> Seal Material B = Buna N	<b>BOX 8</b> Pressure Rating 0 = 100 psi	<b>BOX 9</b> Pressure Relief Button 0 = No PR Button P = PR Button in Cap	

\*Shaded selections are preferred order codes that designate shorter lead times.

# Cartridge Filters

## CH7

### Cartridge Housing



NOTE:  
Drawings may change without notice. Contact Factory for certified drawings.

### Dimensions

	A inch (mm)	B inch (mm)	C inch (mm)	D inch (mm)	E inch (mm)	F inch (mm)	G inch (mm)	H inch (mm)	J inch (mm)	K inch (mm)	L inch (mm)	INLET	OUTLET	DRAIN
CH7210	25.2 (640)	21.5 (546)	10.0 (254)	13.3 (338)	13.4 (340)	11.4 (290)	8.5 (216)	5.0 (127)	0.5 (13)	14.3 (363)	0.5 (13)	2" MNPT	2" MNPT	1/2" NPT
CH7220	35.2 (894)	31.5 (800)	10.0 (254)	13.3 (338)	13.4 (340)	11.4 (290)	8.5 (216)	5.0 (127)	0.5 (13)	14.3 (363)	0.5 (13)	2" MNPT	2" MNPT	1/2" NPT
CH7230	45.2 (1148)	41.5 (1054)	10.0 (254)	13.3 (338)	13.4 (340)	11.4 (290)	8.5 (216)	5.0 (127)	0.5 (13)	14.3 (363)	0.5 (13)	2" MNPT	2" MNPT	1/2" NPT
CH7240	55.2 (1402)	51.5 (1308)	10.0 (254)	13.3 (338)	13.4 (340)	11.4 (290)	8.5 (216)	5.0 (127)	0.5 (13)	14.3 (363)	0.5 (13)	2" MNPT	2" MNPT	1/2" NPT

### Specifications

#### CH72

Number of Elements per Housing:	7 Elements, 2.5" Diameter
Max. Working Pressure:	150 psi (10 bar)
Max. Temperature:	200°F (93°C)
Housing Material:	Stainless Steel (304 or 316)
O-Ring Material:	EPDM (FDA Grade)
Initial Pressure Drop:	1 psi @ 10 gpm
Type of Elements Accepted:	DOE and 222

# Cartridge Filters

## How to Build a Valid Model Number for a Schroeder Multi Cartridge PP Housing 2.5:

BOX 1	BOX 2	BOX 3	BOX 4	BOX 5	BOX 6	BOX 7	BOX 8
CH							

**Example:** NOTE: One option per box

BOX 1	BOX 2	BOX 3	BOX 4	BOX 5	BOX 6	BOX 7	BOX 8	
CH	7	2	40	304	2M	E	1	= CH72403042ME1

BOX 1	BOX 2	BOX 3	BOX 4	BOX 5
<b>Filter Series</b>	<b>No. of Cartridges per Housing</b>	<b>Cartridge Diameter</b>	<b>Cartridge Length</b>	<b>Housing Material</b>
CH	7	2 = 2.5" diameter	10 = 10" 20 = 20" 30 = 30" 40 = 40"	304 = 304 Stainless Steel 316 = 316 Stainless Steel
BOX 6	BOX 7	BOX 8		
<b>Connection Size</b>	<b>Seal Material</b>	<b>Pressure Rating</b>		
2M = 2" MNPT	E = EPDM	1 = 150 psi		

Filter Model Number Selection

DCE

CH1

CH7

RMF

\*Shaded selections are preferred order codes that designate shorter lead times.